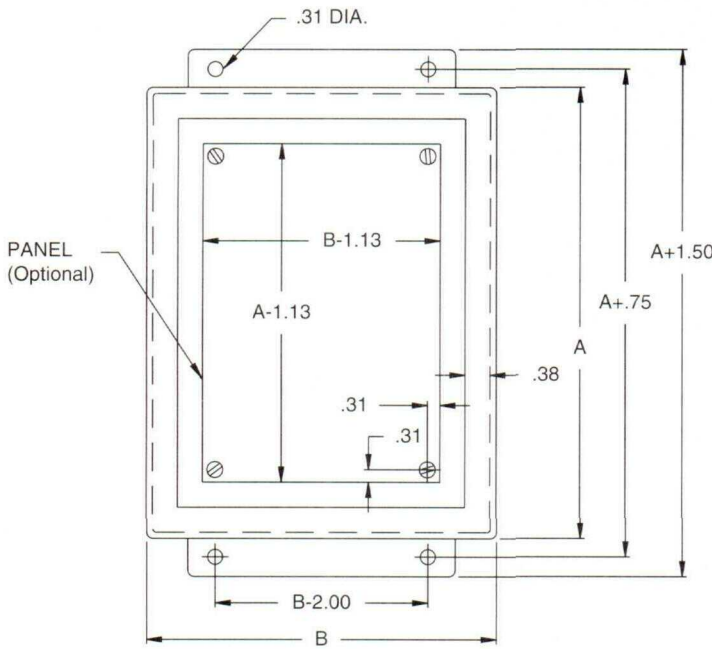


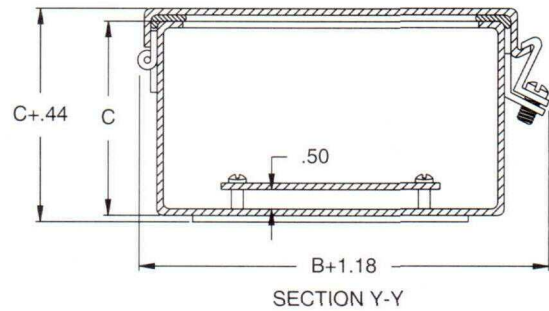
1 CLAMP USED WHEN "A" IS LESS THAN 8"



Type 4, 12 & 13
Oiltight
Enclosures



FRONT VIEW WITH NO COVER
AND CLAMPS REMOVED



JIC Continuous Hinge Boxes

Catalog Number	Enclosure Size (AxBxC)	Weight	Panel Catalog Number	Catalog Number	Enclosure Size (AxBxC)	Weight	Panel Catalog Number
AB-443JH	4x4x3	2	NA	AB-866JH	8x6x6	7	AB-86JP
AB-643JH	6x4x3	3	AB-64JP	AB-1086JH	10x8x6	10	AB-108JP
AB-863.5JH	8x6x3 1/2	5	AB-86JP	AB-10106JH	10x10x6	11	AB-1010JP
AB-444JH	4x4x4	2	NA	AB-12126JH	12x12x6	15	AB-1212JP
AB-644JH	6x4x4	3	AB-64JP	AB-14126JH	14x12x6	17	AB-1412JP
AB-664JH	6x6x4	4	AB-66JP	AB-16146JH	16x14x6	20	AB-1614JP
AB-884JH	8x8x4	7	AB-88JP	AB-12108JH	12x10x8	15	AB-1210JP
AB-1084JH	10x8x4	8	AB-108JP	AB-14128JH	14x12x8	19	AB-1412JP
AB-1264JH	12x6x4	8	AB-126JP	AB-16148JH	16x14x8	23	AB-1614JP
AB-12105JH	12x10x5	12	AB-1210JP	AB-161410JH	16x14x10	26	AB-1614JP

JIC CONTINUOUS HINGE BOXES



Austin JIC Continuous Hinge (JH) boxes are Underwriters Laboratories Listed and are designed for use as electrical junction boxes, terminal wiring boxes, and instruments housing. They provide a degree of protection against dust, dirt, spraying of water, oil, and noncorrosive liquids.

Type 4, 12 & 13
Oiltight
Enclosures

Construction:

- Fabricated in accordance with UL specifications from 14 gauge steel.
- Continuously welded seams ground smooth.
- Neoprene gasket attached to cover with oil resistant adhesive.
- Cover held in place by continuous hinge on one side and stainless steel external screw clamps on opposite side.
- External mounting feet.
- Enclosures that are 6x4x3 and over have stand-offs provided for mounting optional panel or terminal kit.

Finish:

Austin JIC Continuous Hinge boxes are provided standard with an ANSI 61 gray polyester powder coating. Optional panels are painted white.

Options:

- Special materials.
- Special finishes.
- Custom box size or construction.
- Hasp for padlocking.

Industry Standards:

UL 50 Type 12 and Type 13
UL 508 Type 12 and Type 13
NEMA Type 12 and Type 13
CUL Type 12 and Type 13